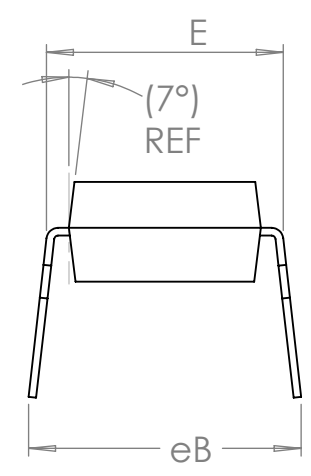
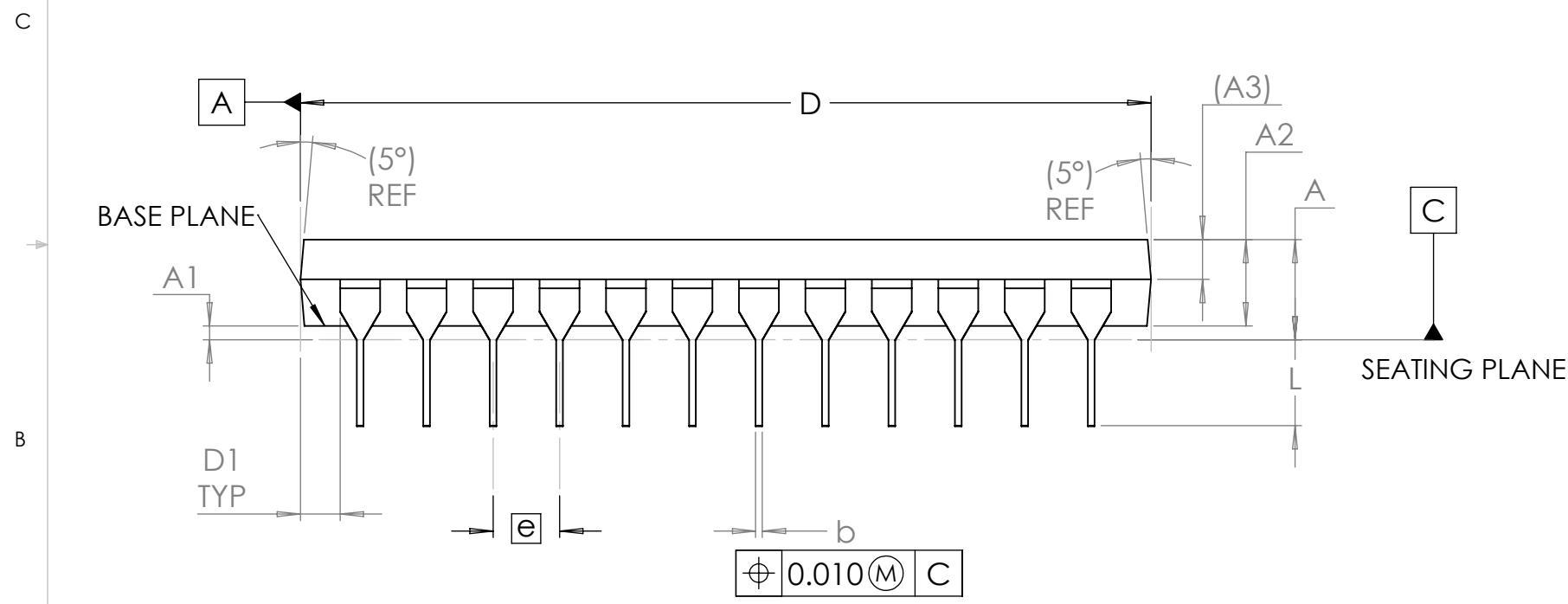
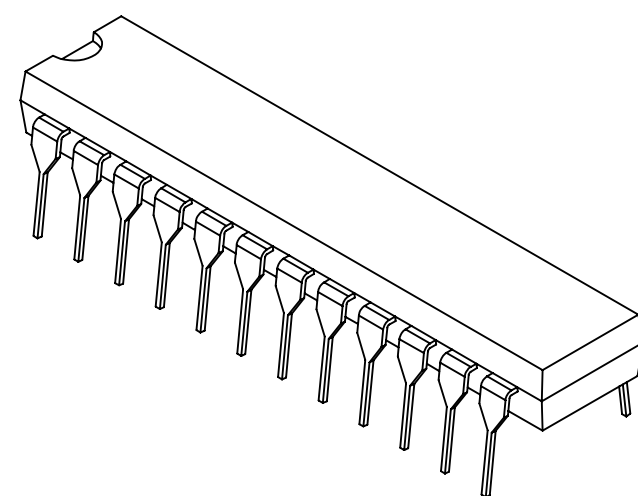
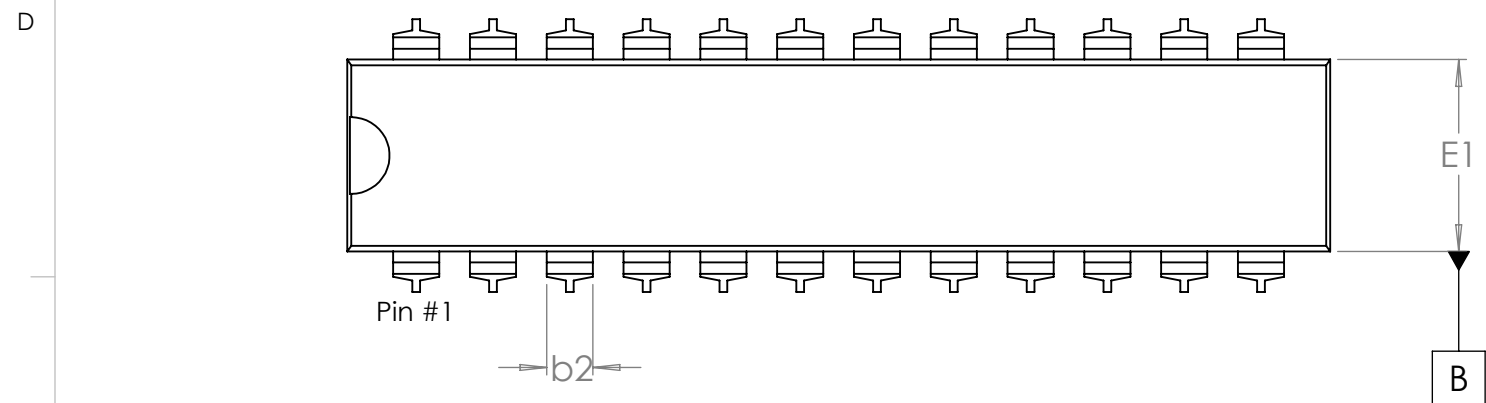


8 7 6 5 4 3 2 1



$\oplus 0.010 (M) C$

NOTES:
 1. PACKAGE CONFORMS TO JEDEC MS-001, VARIATION AF.
 2. DIM AND TOL CONFORM TO ASME Y14.5-2009.
 3. ALL DIM ARE IN INCHES.
 4. D AND E1 DIMENSIONS FOR PLASTIC PACKAGES DO NOT INCLUDE MOLD FLASH OF PROTRUSIONS. MOLD FLASH OR PROTRUSIONS SHALL NOT EXCEED 0.010 INCH (0.25 MM).

SYMBOL	MIN	MAX	SYMBOL	MIN	MAX
A	-	0.210	E	0.300	0.325
A1	0.015	-	E1	0.240	0.280
A2	0.115	0.195	eB	0.345	0.365
A3	0.06	REF	L	0.115	0.200
b	0.014	0.022			
b2	0.045	0.070			
D	1.230	1.280			
D1	0.005	-			
e	0.100	BSC			

PROMEX INDUSTRIES INC.
www.promex-ind.com

TITLE
24 LEAD PDIP-300 mils

DWG. NO.: 24 Lead PDIP-300	REV A
DO NOT SCALE	File Name: 24L-PDIP-300.PDF
	SHEET 1 of 1

ALL INFORMATION CONTAINED HEREIN IS THE PROPERTY OF PROMEX, INC. AND IS CONSIDERED PROPRIETARY AND SUBJECT TO RETURN UPON DEMAND. ACCEPTANCE AND RETENTION HEREOF SIGNIFIES AGREEMENT BY THE RECIPIENT THAT THE INFORMATION WILL NOT BE DISCLOSED TO OTHERS NOR USED CONTRARY TO THE INTEREST OF PROMEX, INC. WITHOUT PRIOR WRITTEN PERMISSION

8 7 6 5 4 3 2 1