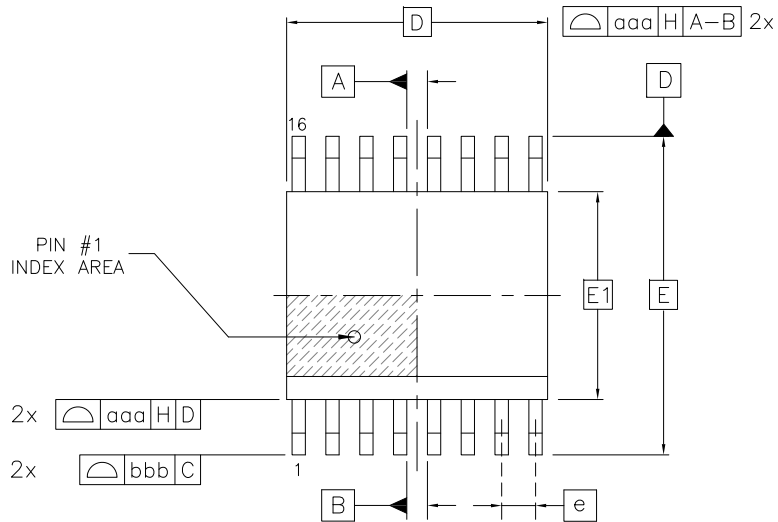
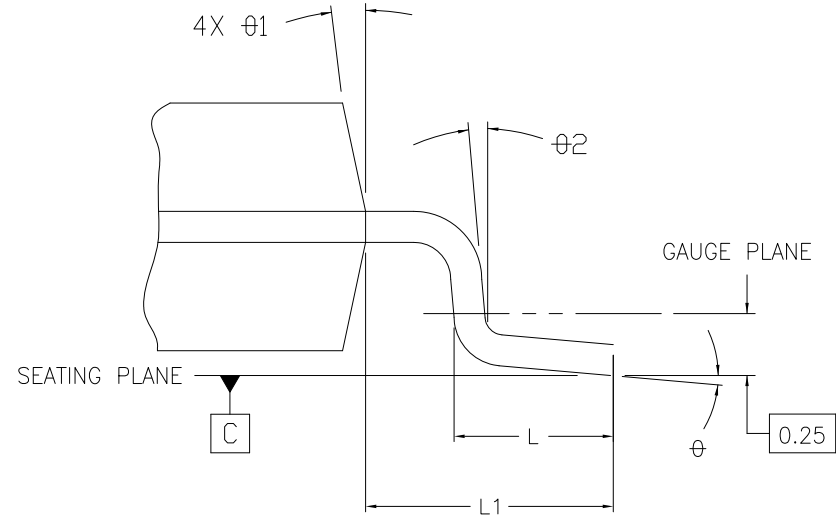


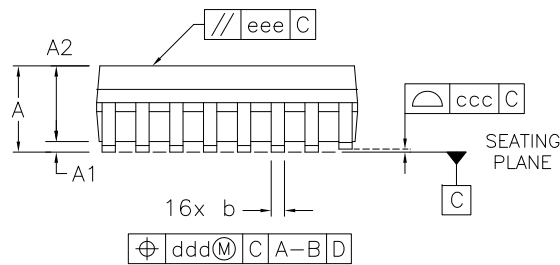
REVISIONS		
REV	DESCRIPTION	DATE
00	DRAWING UPDATE	9-16-16



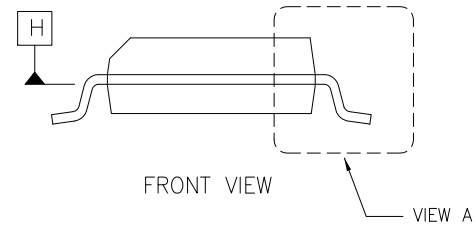
TOP VIEW



VIEW A

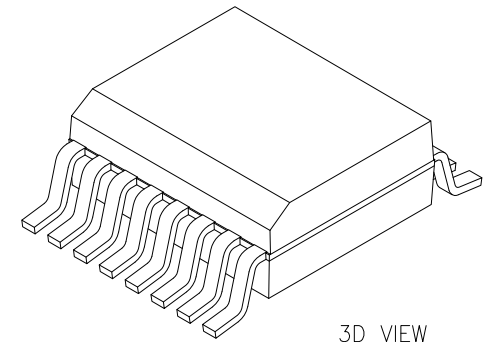


SIDE VIEW



FRONT VIEW

VIEW A



3D VIEW

- NOTES:  
 1) ALL DIMENSIONS IN MM  
 2) DIMENSIONING AND TOLERANCING PER ASME Y14.5-2009  
 3) PACKAGE CONFORMS TO JEDEC MO-137 VARIATION AB

SYMBOL	MIN	MAX	SYMBOL	MIN	MAX
A	-	1.75	L1	1.04 REF	
A1	-	0.25	aaa	0.10	
A2	1.40	1.55	bbb	0.20	
b	0.20	0.30	ccc	0.10	
D	4.90 BSC		ddd	0.18	
E	6.00 BSC		eee	0.10	
E1	3.90 BSC		theta	5	15
e	0.635 BSC		theta1	0	8
L	0.41	1.27	theta2	0	-

**PROMEX INDUSTRIES INC.**  
[www.promex-ind.com](http://www.promex-ind.com)

TITLE		
16L QSOP, 3.90 mm BODY 0.635 mm LEAD PITCH		
LEADFRAME TYPE:		REV
90"x120" DAP, Ag PLATED		00
DO NOT SCALE	FILE NAME 16-QSOP-635P-POD.dwg	SHEET 1 OF 1